



Mr Stoves
ENVIRONMENTAL

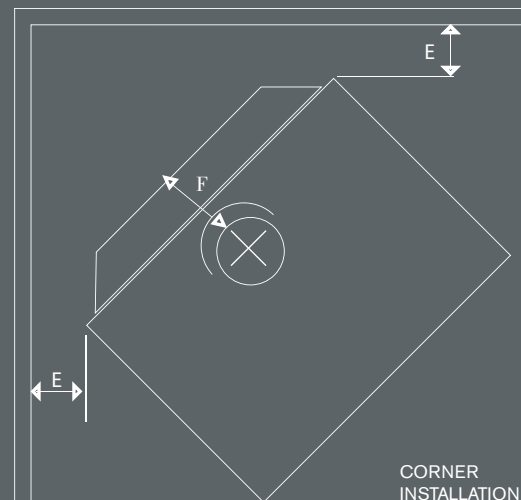
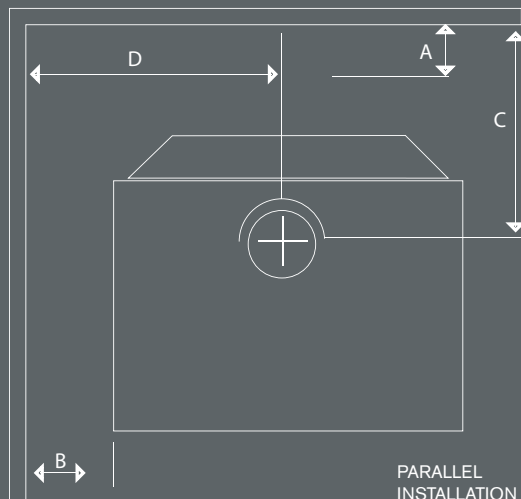
Pintel Deluxe

COME ALIVE THIS WINTER...

Australian Made



10 Year Guarantee*
*Conditions Apply



Colours Available*

Black	
Brown	
Charcoal	
Moss Green	

* Colours approximate only

Specifications

Heat Rating	18-22 sqs.
Width	630 mm
Depth	485 mm
Height	710 mm

The Benefits

- Large east-west firebox for optimum viewing pleasure
- Large, easy to use ash pan
- Simplicity and safety in design... Full touch safe convection cabinet
- Rugged steel construction
- Ease of installation in new or existing homes

Improved fuel economy overnight burn capability

Measurements

A	150 mm
B	300 mm
C	350 mm
D	615 mm
E	125 mm
F	200 mm

***Environmentally Friendly**

Manufactured in Brisbane by Wainwright Trading Co.

Mr. Stoves
8 Machinery Street
Darra QLD 4076

Phone (07) 3375 1464
Fax (07) 3375 1478
Email sales@mrstoves.com.au
www.mrstoves.com.au

Your Local Dealer:



Conformance certified to AS/NZ 4012
AS/NZ 4013: 1999

10 Year Guarantee on manufactured unit *excluding Cosmetic finish, fire bricks and baffle plate.